



Advanced Conversion Technology

ACT Now for Superior Power

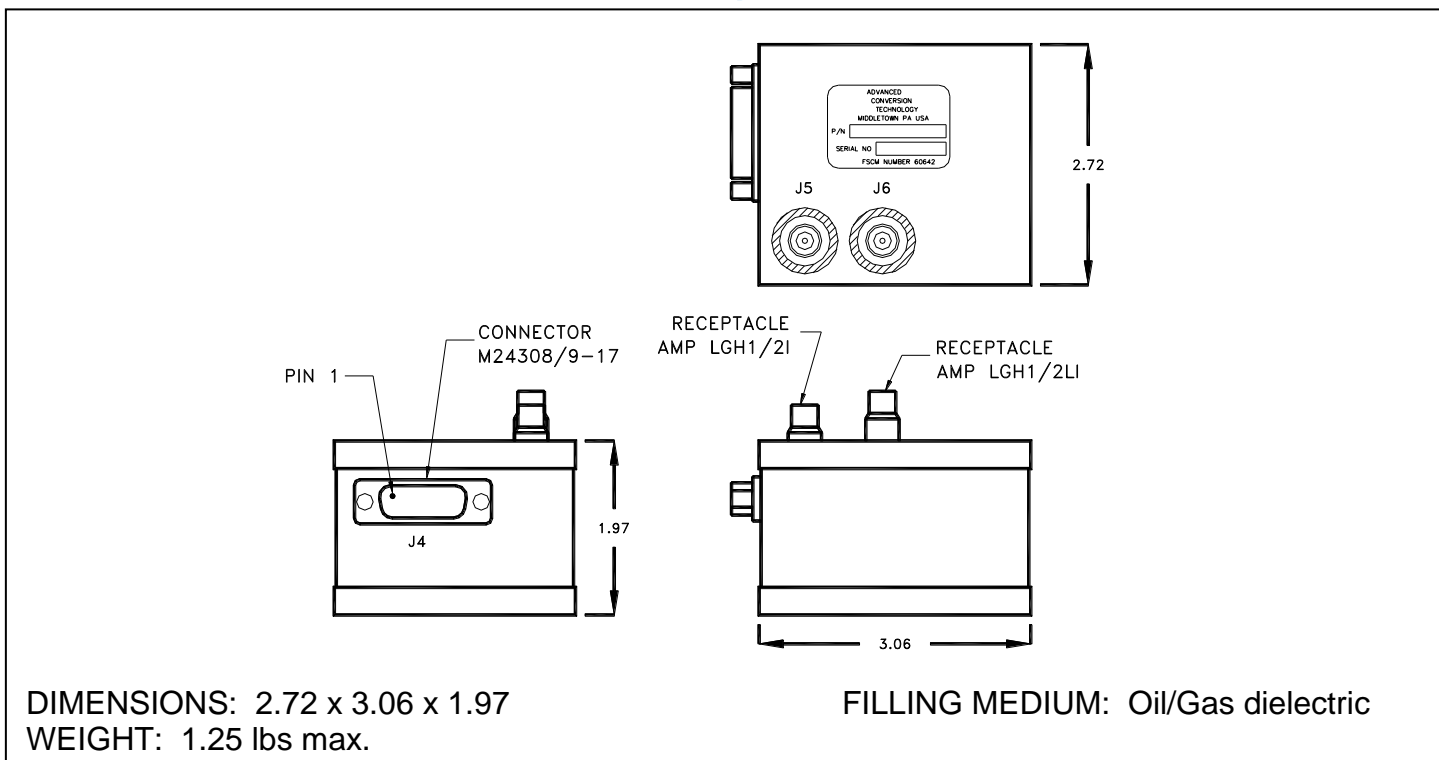
This hermetically sealed CRT Power Supply is designed to supply the various high voltage outputs required by a cathode ray tube operating in an airborne fighter environment. ACT's proprietary oil-gas approach achieves complete protection against the elements and mechanical and thermal concerns.



HIGH VOLTAGE DC-DC MULTI OUTPUT CRT POWER SUPPLY SR - 12071

FEATURES

- Hermetically Sealed
- Compact Size
- Multi Output
- Short Circuit Protection
- Reverse Polarity Protection
- Highly Reliable
- Factory Repairable
- MIL-E-5400 Design
- Remote Adjust



ELECTRICAL CHARACTERISTICS

Input Voltage: +15 VDC ±10% and -15 VDC ±10%

Outputs:

Environmental:

Voltage	Current	Temperature	-55°C to +71°C
+7KV ±2%	100 uA	Vibration	MIL-STD-810C METHOD 514.2
800 VDC to 1400 VDC	350 uA	Shock	MIL-STD-810C, METHOD 516.2
+300 VDC ±2%	75 uA	RFI	MIL-STD-461
70 VDC ±10%	8mA	Humidity	MIL-STD-810C, METHOD 507.2
		Altitude	50,000 FT.

Environmental: Meets full military and industry requirements.

Other: Connectors: J4: M24308/9-17, J5: LGH-1/2I, J6: LGH-1/2LI

Copyright 2002, All Rights Reserved: 2001 Fulling Mill Rd, Middletown, PA 17057

Phone: (717) 939-2300 Fax: (717) 939-7170 Website: www.actpower.com E-mail: mail@actpower.com