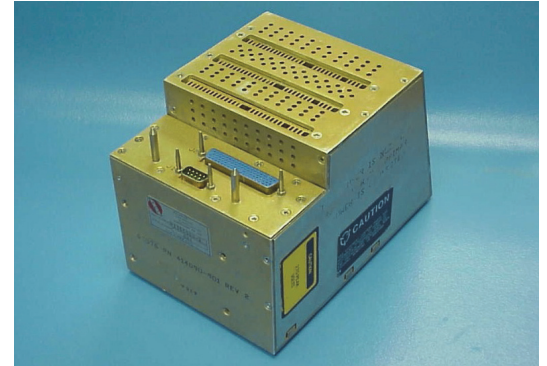


## Features

- Overcurrent Protection
- Over-Under Voltage Protection
- Overtemperature Protection
- Power Down Warning Signal
- Remote Turn-On/Turn-Off
- Input-Output Isolation
- Mil-E-5400k Design
- Forced Air Cooled



## Brief Description

This multi-output low voltage power supply is designed to provide the DC outputs needed to power the individual elements of a sophisticated avionics system. This rugged device incorporates up-to-date proven switching circuitry to achieve outstanding performance and efficiency in a compact package. High-Rel componentry and certified MIL-HDBK-454 workmanship are used to insure maximum reliability. An anodized aluminum housing affords mechanical protection and good thermal conductivity.

## Input Voltage

103 to 125 VAC, 3 phase 400 Hz, MIL-STD-704D transient

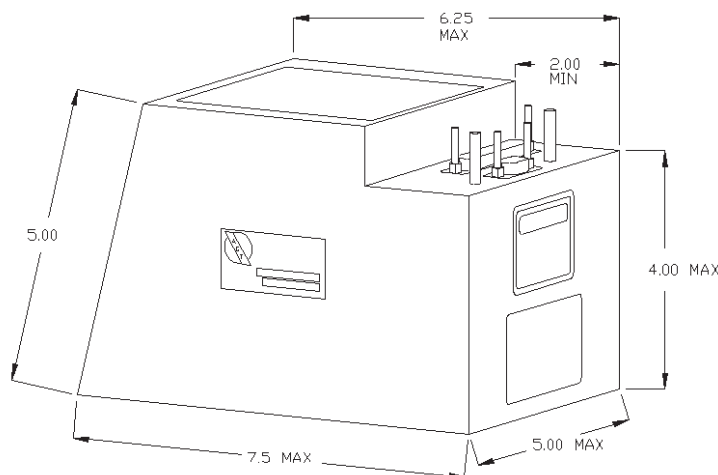
## Output Voltage and Currents\*

+5.1 VDC	26A
+15 VDC	2.2A
-15 VDC	2.2A
+28 VDC	2.7A
-28 VDC	2.7A
+60 VDC	100mA
+7 VDC	0.5A
+5 V SB	2.7A
+28 VDC H.V.	1.8A

## Environment

Temperature: -54°C to +71°C  
 Vibration: Random – 12g's, 15 To 2000 Hz  
 Shock: 15G'S - 11 millisecond  
 Altitude: 70,000 ft.

## Outline Drawing



## Connectors\*

\*Contact factory for additional details.

© 2015, All Rights Reserved, Specifications subject to change without notice

2001 Fulling Mill Road • Middletown PA 17057 • 717 939-2300 • F: 717 939-7170 • [www.actpower.com](http://www.actpower.com)

