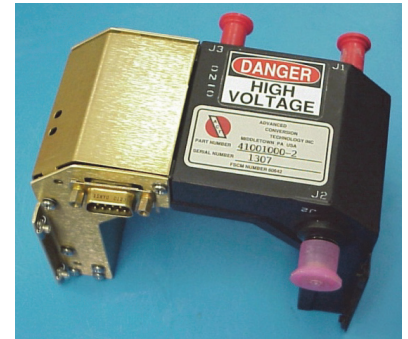


Features

- Hermetically Sealed
- Compact Size
- Short Circuit Protection
- Reverse Polarity Protection
- Highly Reliable
- Factory Repairable
- MIL-E-5400 Design
- Modular Design



Brief Description

This hermetically sealed CRT Power Supply is designed to supply the various high voltage outputs required by a cathode ray tube operating in an airborne fighter environment. The modular design allows easy access to the Low Voltage circuitry. ACT's proprietary oil-gas approach achieves complete protection against the elements and mechanical and thermal concerns.

Input Voltage

+15 VDC $\pm 1\%$ and -15 VDC $\pm 1\%$

Output Voltage and Currents

+20KVDC	500 μ A
4.5 KVDC to 5.5 KVDC	500 μ A
+400 VDC to +600 VDC	5 μ A

Environment

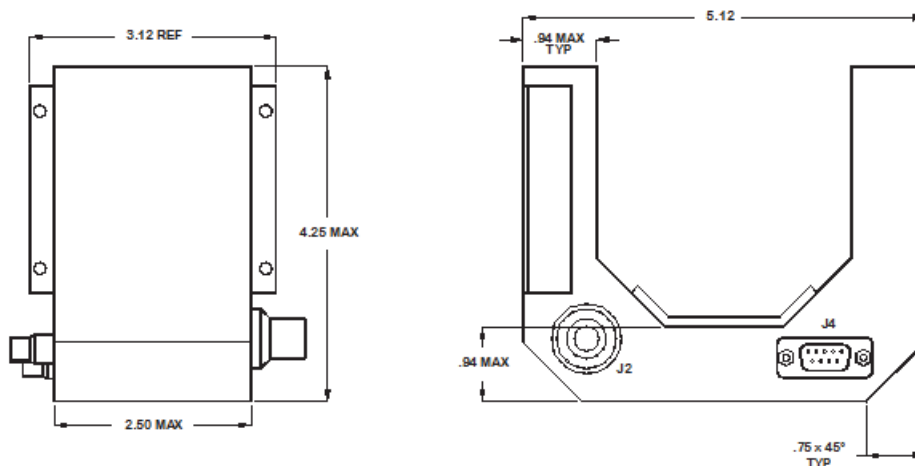
Temperature: -55°C to +81°C

Vibration: MIL-STD-810B METHOD 514.1

Shock: MIL-STD-810B, METHOD 516.1

Altitude: 50,000 ft

Outline Drawing



Connectors

Input: MIL-C-24308/6-1, Output: LGH-1I, LGH-1/2I, LGH-1/2LI

