



# Advanced Conversion Technology, Inc.

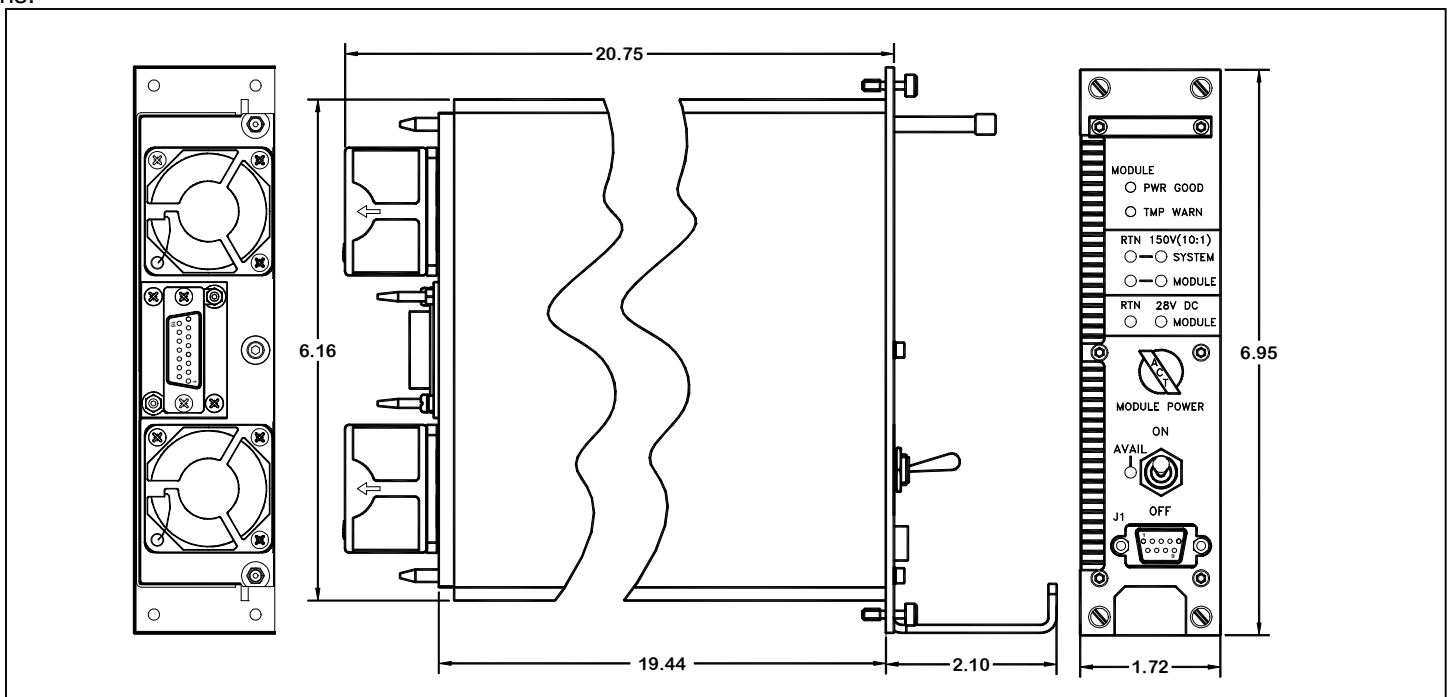
## AC/DC POWER SUPPLY 1 KW MODULE SR - 2123

This AC/DC power module operates from 90 to 140 VAC, single phase, 47 to 63 Hz input power. With an active PFC front end this supply provides <3 % total harmonic current distortion. This module is designed to plug into a 19" chassis and operates with additional modules to provide up to 9 KW of redundant bulk power (+150 VDC). Cooling is provided by an integrated heatsink and two low structure borne noise fans.



### FEATURES

- Active PFC
- Power Factor > 0.99
- <3% Harmonic Distortion
- Hot Swappable
- 70 msec Ride Through
- MIL-STD-1399 compliant
- Automatic Load Sharing
- Circuit Breaker
- Power Good Signal



### ELECTRICAL CHARACTERISTICS

**Input Voltage:** 90 to 140 VAC, 47 to 63 Hz, Single Phase  
MIL-STD-1399, Section 300A compliant

**Outputs:**

- +150 VDC @ 6.7 A
- +28 VDC @ 0.3 A

**Environmental:**

- Temperature: 0°C to +50°C
- Vibration: MIL-STD- 167, 4 to 20 Hz
- EMI: MIL-STD-461D
- Altitude: 15,000 ft.
- Structure Born Noise

Specifications subject to change without notice

Copyright 2005, All Rights Reserved: 2001 Fulling Mill Rd, Middletown, PA 17057

Phone: (717) 939-2300 Fax: (717) 939-7170 Website: [www.actpower.com](http://www.actpower.com) E-mail: mail@actpower.com