



# Advanced Conversion Technology, Inc.

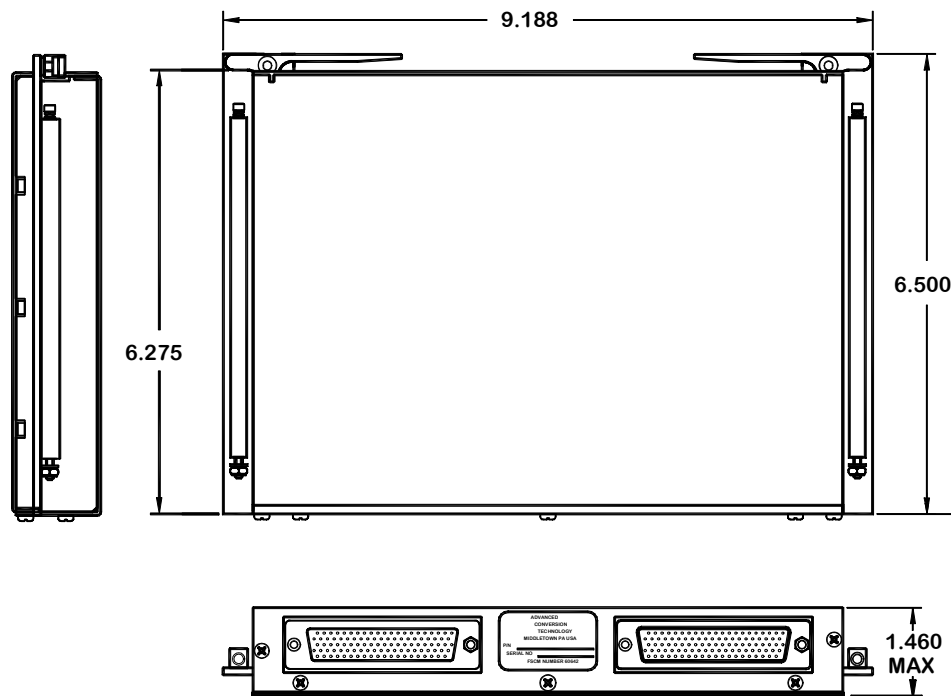
## MULTIPLE OUTPUT AC/DC POWER SUPPLY SR - 1737A

This AC/DC power supply converts the 115VAC, three phase, 400 Hz input power into +270VDC which is then used to power a number of DC/DC converter modules. It also accepts +28VDC aircraft power and conditions this voltage for distribution within the system. The rugged plug-in design allows for easy access and replaceability.



### FEATURES

- >1 kw of Output Power
- Three Outputs
- Filtered +28 VDC Power
- +28 VDC Switchable
- Power Factor > 0.8
- Thermal Switch
- BIT Indicator
- I/O Controls



### ELECTRICAL CHARACTERISTICS

**Input Voltage:** 115 VAC, Three Phase, 400 Hz and +28VDC, MIL-STD-704A, Cat. B

**Outputs:**

+270 VDC @ 4 amps

+28VDC @ 8 amps

+13VDC @ 0.15 amps

**Environmental Conditions:**

Operating Temperature: -40 to +72°C

Altitude: 70,000 feet

Vibration: Random & Sine per MIL-STD-810 Method 514.2 Procedure IIB

**Connector:**

Specifications subject to change without notice

Copyright 2002, All Rights Reserved: 2001 Fulling Mill Rd, Middletown, PA 17057

Phone: (717) 939-2300 Fax: (717) 939-7170 Website: [www.actpower.com](http://www.actpower.com) E-mail: mail@actpower.com