



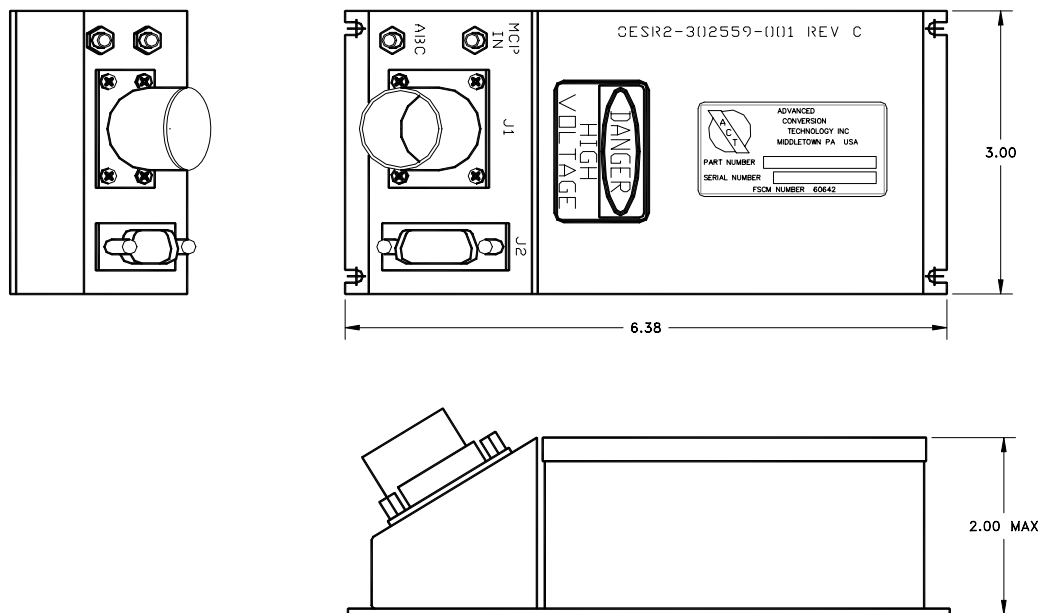
Advanced Conversion Technology, Inc.

GATED IMAGE INTENSIFIER DC/DC POWER SUPPLY SR - 15281

This hermetically sealed Gated Image Intensifier Power Supply is designed to supply the various high voltage outputs required to operate an image intensifier tube. The gated output can provide a pulse width from 500 nsec to DC also contains an Automatic Brightness Control and provides a variety of monitors. ACT's proprietary oil-gas approach achieves complete protection against the elements and mechanical and thermal concerns.

FEATURES

- Hermetically Sealed
- Compact Size
- Multi Output
- Short Circuit Protection
- Output Voltage Monitors
- Anode Current Monitor
- Gated Output Voltage
- Automatic Brightness Control
- Highly Reliable
- Factory Repairable



ELECTRICAL CHARACTERISTICS

Input Voltage: +11.0 ± 1.0 VDC
Output Voltages: MCP out: -5.8 KVDC @ 2.5 μA
MCP in: -300 VDC to -1,000 VDC @ 20 μA
PC: -800 VDC to +40 VDC @ 1 μA, Pulse Width 500 nsec to DC
Temperature: -55°C to +70°C
Vibration: MIL-STD-167, Type I
Shock: MIL-STD-810, Method 516.4, Procedure I, 11msec & 30 g's peak
Altitude: 30,000 ft
Environmental Stress Screening, Random vibration and temperature cycling
Connectors: J1 HV connector
J2 M24308/4-2