

POWER FACTOR CORRECTED LOW VOLTAGE POWER SUPPLY



Advanced Conversion Technology specializes in designing and manufacturing complex power supplies to meet today's most demanding environmental, performance and miniaturization requirements. Through the use of advanced, modular, solid state design and superior packaging techniques, every power supply provides optimum voltage density in a producible package. These power supplies are specifically tailored to the application...without the usual and expected high cost.

Complimenting ACT's talents is a teaming arrangement with Vicor Corp., the leader in "Off-the-Shelf", modular DC/DC Power Converters. As a Value Added Reseller (VAR) for Vicor, ACT is able to provide both commercial and military grade complex power supplies with the benefits of a proven modular power solution, while achieving the advantages and flexibility associated with a custom design.

ACT's quality system has been approved (by Government and Customers) to be in conformance with MIL-I-45208 and ISO 9001. Workmanship standards are

certified to MIL-HDBK-454; IPC/EIA J-STD-001C and other current high REL specifications.

The Power Supply shown above is designed around ACT's unique 3-phase power factor correction circuitry, which meets MIL-STD-1399 section 300A and MIL-STD-461D. Full load ride through time is greater than 70ms and the input power factor is > 0.99. EMI filtering to MIL-STD-461D can be provided as an option.

This highly specialized LV power supply is just one of many created by Advanced Conversion Technology. The same experienced and highly qualified engineers stand ready to design a power supply for your specific requirement...promptly, reliably and economically.

FEATURES

3-PHASE POWER FACTOR
CORRECTED
INDIVIDUAL (O.T.S.) BRICKS
T.H.D. < 3%
FULLY ISOLATED
"COTS" / MILITARY DESIGN
OVERVOLTAGE PROTECTION
OPEN HEAT EXCHANGER
ISOLATED ON/OFF CONTROL

ACT PROGRAMS

AIR:

F-18	F-5E
F-14	V-22
JAS (Sweden)	RF-4C
J-Stars	AWACS
B-52	A-10
	P-3

TANK:

HIRE
DTV
M1-A2
LEOPARD II

SHIPBOARD:

FFG
SG47
DD963
TRIDENT
NSSN

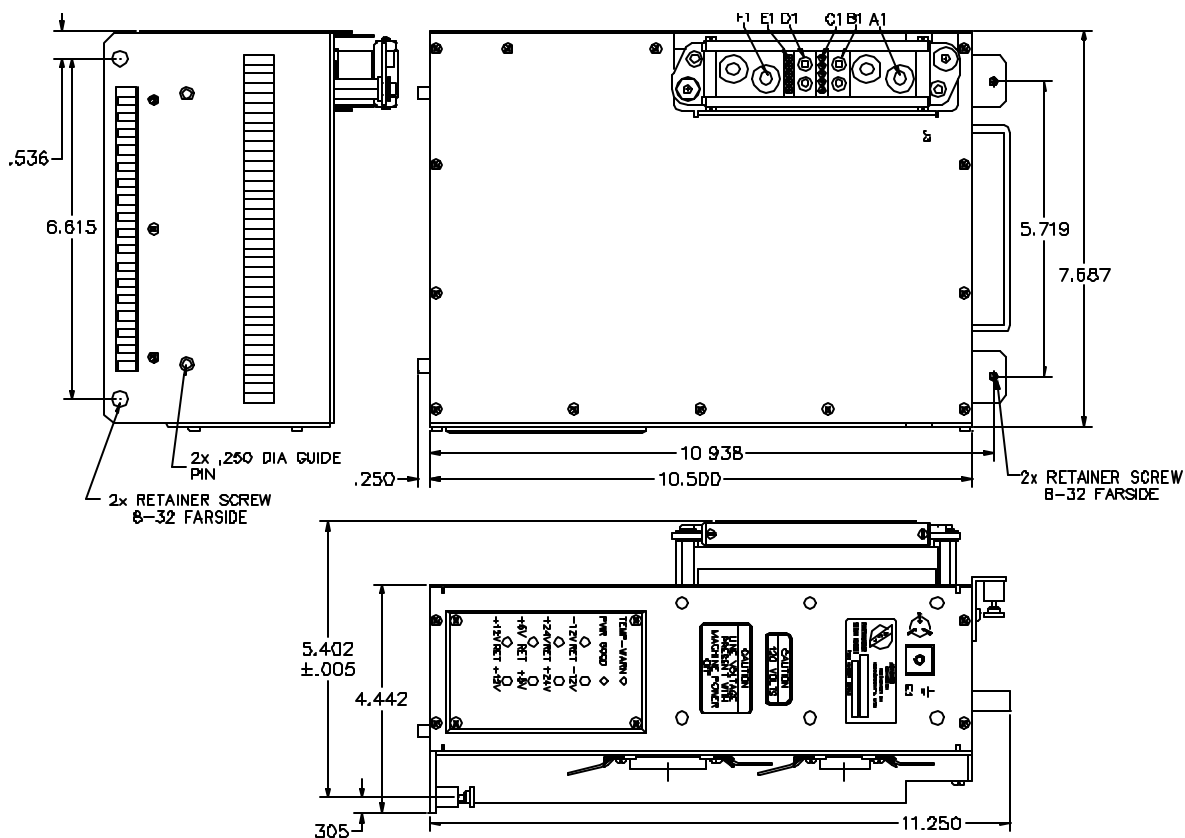
MISSILE:

AMRAAM
PHOENIX
SEA SPARROW
ERINT

HELICOPTER:

BLACK HAWK
LHX
HNVS (Several)
APACHE

POWER FACTOR CORRECTED LOW VOLTAGE POWER SUPPLY SR1740/1807



DIMENSIONS: 11.25L x 7.68W x 5.70H **WEIGHT:** 15 LBS **HOUSING:** IRIDITED ALUMINUM

REPRESENTED BY:



**ADVANCED
CONVERSION
TECHNOLOGY**

2001 Fulling Mill Road
Middletown, Pennsylvania 17057
PHONE: 717-939-2300
FAX: 717-939-7170
EMAIL: EMAIL@ACTPOWER.COM

CHARACTERISTICS ELECTRICAL

INPUT

115VAC, 3-PHASE, 3 WIRE, FLOATING NEUTRAL

OUTPUTS

VOLTAGE VDC	CURRENT AMPS	RIPPLE MAX P TO P	REGULATION		
			LINE	LOAD	TEMP
+5.1V	180	50mV	±1%	0-FULL	0.02%/°C
+12V	8	50mV	±1%	0-FULL	0.02%/°C
-12V	4	50mV	±1%	0-FULL	0.02%/°C
+24V	1.5	240mV	±1%	0-FULL	0.02%/°C

ENVIRONMENTAL

TEMPERATURE: 0°C TO +50°C
VIBRATION: MIL-STD-167, 4 TO 20 Hz
SHOCK: 15G PEAK, 40ms ½ SINE WAVE
EMI: MIL-STD-461D
ALTITUDE: 15,000 FT. OPERATING
EXPLOSIVE DECOMPRESSION, SALT SPRAY, SAND AND DUST, HUMIDITY