



Advanced Conversion Technology, Inc.

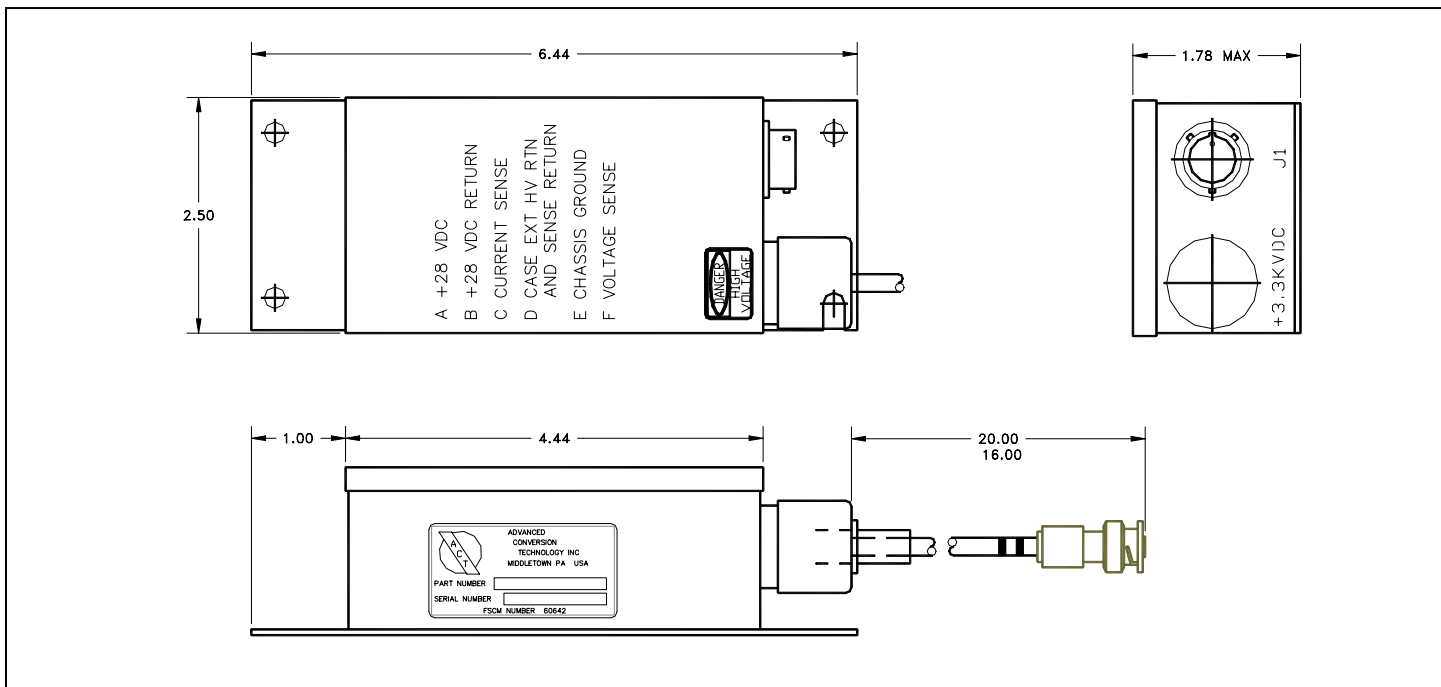
ION PUMP DC/DC POWER SUPPLY SR - 11751

This hermetically sealed Ion Pump Power Supply is designed to supply the high voltage output required by an Ion pump. The variable output voltage is capable of sustaining a continuous short circuit. ACT's proprietary oil-gas approach achieves complete protection against the elements and mechanical and thermal concerns.



FEATURES

- Hermetically Sealed
- Compact Size
- Short Circuit Protection
- Highly Reliable
- Factory Repairable
- Voltage Monitor
- Current Monitor



Input Voltage: +20.0 VDC to 33.0 VDC
 Output Voltage: +2120 VDC to 4280 VDC @ 2 mA maximum
 Output Voltage Monitor: +10.5 VDC ± 10% @ 3,300 VDC
 Output Current Monitor: -5.0 VDC ± 10% @ 50 µA
 Operating Temperature: -30°C to +70°C
 Vibration: MIL-STD-202, Method 204, Test Condition A
 Shock: MIL-STD-202, Method 213, Test Condition A
 Operating Altitude: 12,000 ft
 Environmental Stress Screening (ESS) with Random Vibration and Temperature cycling per NAVMAT P9492

Input Connector: MS27478Y10D98P
 Output Connector: Shielded Jacketed Cable, MHV Bayonet Coupling Type