



Advanced Conversion Technology, Inc.

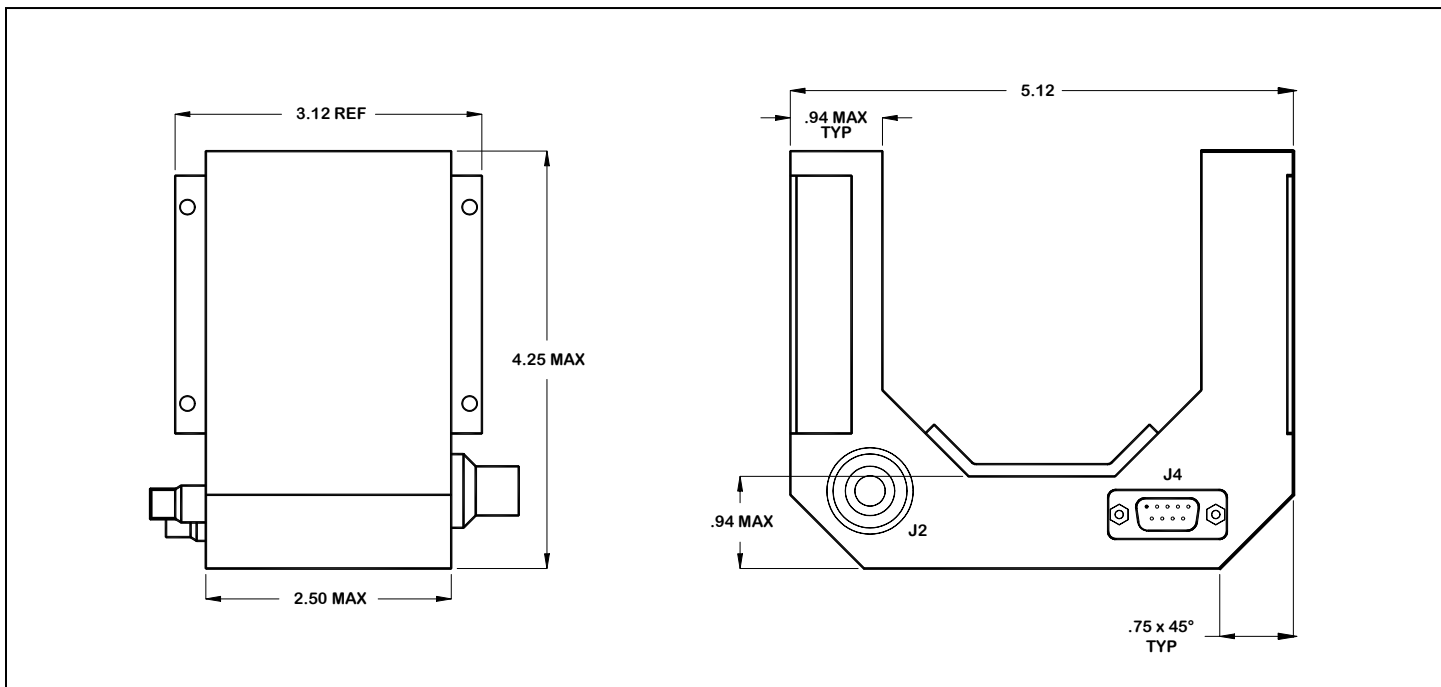
HIGH VOLTAGE DC/DC MULTI OUTPUT CRT POWER SUPPLY SR - 10011

This hermetically sealed CRT Power Supply is designed to supply the various high voltage outputs required by a cathode ray tube operating in an airborne fighter environment. The modular design allows easy access to the Low Voltage circuitry. ACT's proprietary oil-gas approach achieves complete protection against the elements and mechanical and thermal concerns.



FEATURES

- Hermetically Sealed
- Compact Size
- Short Circuit Protection
- Reverse Polarity Protection
- Highly Reliable
- Factory Repairable
- MIL-E-5400 Design
- Modular Design



ELECTRICAL CHARACTERISTICS

Input Voltage: +15 VDC $\pm 1\%$ and -15 VDC $\pm 1\%$

Outputs:

Environmental:

Voltage	Current	Temperature	-55°C to +81°C
+20KVDC	500 μ A	Vibration	MIL-STD-810B METHOD 514.1
4.5 KVDC to 5.5 KVDC	500 μ A	Shock	MIL-STD-810B, METHOD 516.1
+400 VDC to +600 VDC	5 μ A	Altitude	50,000 FT.

Connectors: Input: MIL-C-24308/6-1

Output: LGH-1I, LGH-1/2I, LGH-1/2LI